

KVP[®] Straight 3/4" Pitch Belting 106 V (Vacuum)

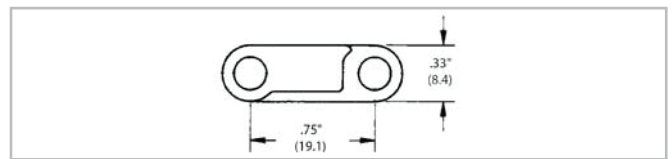
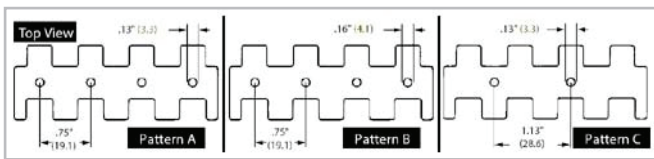


Your Source For Habasit
Belting And Chain

www.StilesEnterprises.com • 1-800-325-4232

Description

- 3/4 inch pitch
- Food approved materials
- Bi-directional
- Connecting rod diameter = 0.188 inch (4.8 mm)
- Standard belt width increments = 3/4 inches (19.1 mm) nominal, starting from 3 inches (76.2 mm)
- Material selection may affect belt width — please contact your local partner for actual dimensions

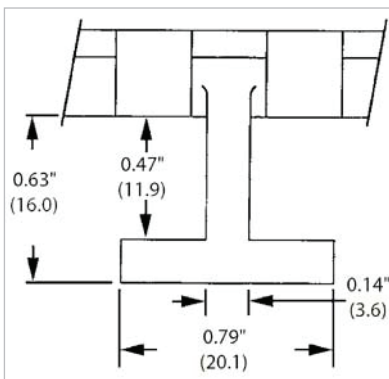


Belt data

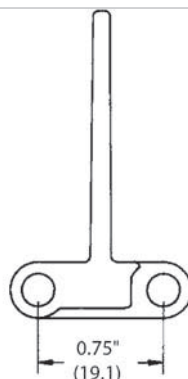
Belt material		PP	POM
Rod material		PP	
Nominal tensile strength F' _N	N/m lb/ft	5487 376	10989 753
Temperature range	°C °F	5 - 105 40 - 220	5 - 93 40 - 200
Belt weight m _B	kg/m ² lb/sqft	4.9 1.00	6.8 1.40
Standard belt color		gray	gray/white

Additional belt colors and materials available, abrasive resistant Nylon (Polyamide) rods available – contact your local partner.

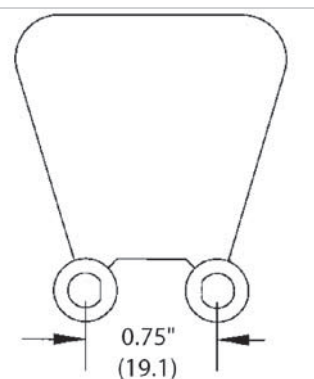
Belt accessories



Hold down tabs



Flights
Standard flights are available in 1-1/2" (38.1 mm) and 3" (76.2 mm) heights.



Sideplates
Sideplates are available in 1" (25.4 mm) and 1-1/2" (38.1 mm) heights.